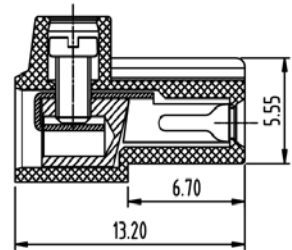
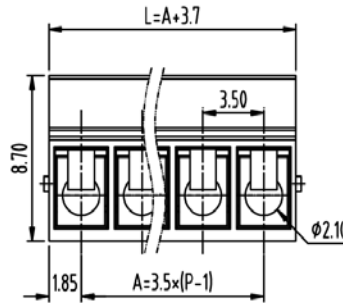
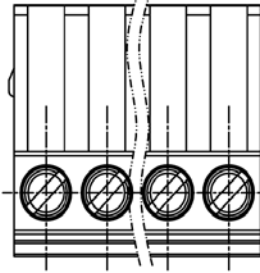


PCB Connector — TLP series ( Female Connector )— TLPS-003



■ 图示(Pic. shown) : TLPS-003-03P-G12S

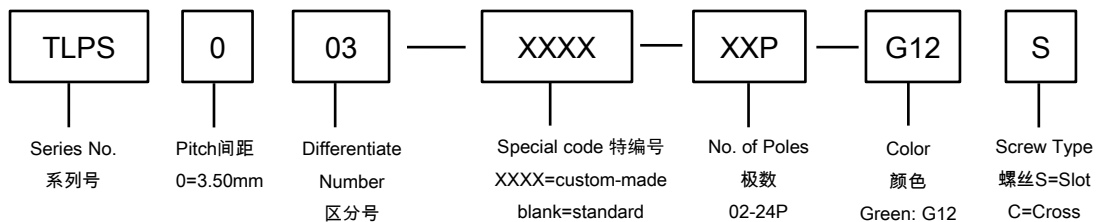
|          |   |
|----------|---|
| General: | PCB Connector Rated : 160V,10A , 1.5mm <sup>2</sup> |
|          | Single row, 3.50mm pitch , 02-24 Pole               |
|          | Wiring orientation: 90°(wire to plug-in )           |
|          | Screw clamp unit: M2.0, 0.22Nm Max                  |

认证 ( Approval ) :



| ■ 技术参数 Technical Data                                    | UL standard                  |                      |      | IEC standard              |  |        |
|--|------------------------------|----------------------|------|---------------------------|--|--------|
|  | UL应用组别(UL Application group) | UL Application group |      |                           | IEC过电压别/污染等级(IEC overvoltage category /pollution degree) |        |
| IEC过电压别/污染等级(IEC overvoltage category /pollution degree) | B                            | C                    | D    | III / 3                   | III / 2  | II / 2 |
| 额定电压(Rated voltage)                                      | 300V                         | --                   | 300V | --                        | 160V   | --     |
| 额定电流(Rated current)                                      | 10A                          | --                   | 10A  | --                        | 10A  | --     |
| 额定连接容量(Rated connection capacity)                        | 30-16AWG Sol&Str             |                      |      | 0.25-1.5mm <sup>2</sup>   |  |        |
| 绝缘材料(Insulation Material)                                |                              |                      |      | PA66 UL94 V-0             |  |        |
| 电流承载部件材料和镀层( Material & Plating of Current carrier )     |                              |                      |      | Copper alloy , Tin plated |  |        |
| 接线弹片材料(Material of Clamp spring )                        |                              |                      |      | --                        |  |        |
| 绝缘电阻(Insulation Resistance)                              |                              |                      |      | 500MΩ or more at DC500V   |  |        |
| 耐电压(1分钟)(Withstanding Voltage/1Min)                      |                              |                      |      | 1600V                     |  |        |
| 额定冲击电压(Rated surge voltage)                              |                              |                      |      | --                        |  |        |
| 接线螺丝(Wire clamp unit Screw), 最大扭矩( torque Max. )         |                              |                      |      | M2.0 , 0.22Nm Max         |  |        |
| 固定螺丝(Mounting Screw), 扭矩(torque)                         |                              |                      |      | --                        |  |        |
| 剥线长度(Wire stripping length)                              |                              |                      |      | 4.5mm                     |  |        |
| 使用温度(Operating temperature)                              |                              |                      |      | -40°C up to +105°C        |  |        |
| 焊接方式(Soldering recommend)                                |                              |                      |      | --                        |  |        |

■ 订购方式(How to order)



■ 针座 ( Pin header ) — single row



P/N : TLPHC-003V

Orientation :

90° ( plug-in to board )

Rated:160V,10A

Closed side