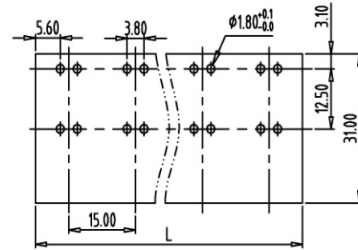
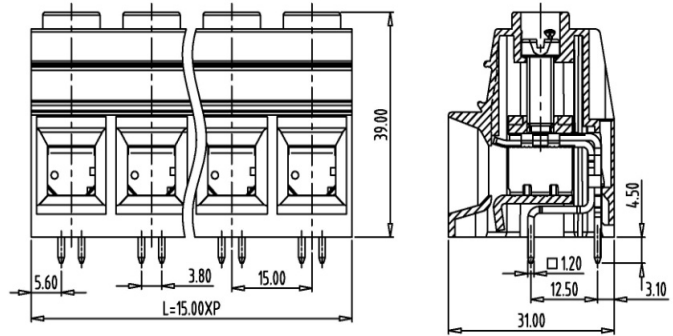


PCB Terminal block — TL series (Raising Clamp)—TL903



PCB Layout

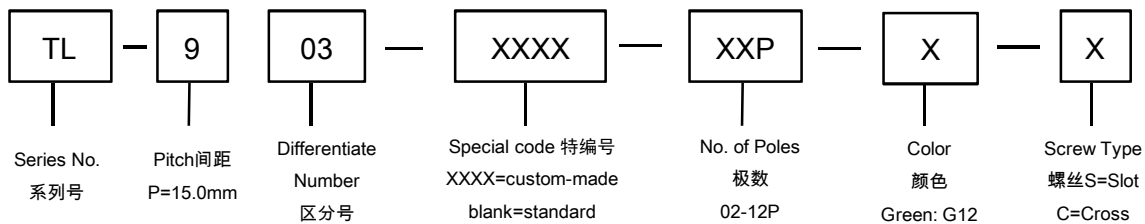
图示(Pic. shown) : TL903-03P-G12C

General: PCB Terminal block Rated : 1000V, 125A , 0.5-35mm²
Single row, 15.00mm pitch , 02-12 Pole
Wiring orientation: 180°(Wire-to-board)
Screw clamp unit: M5, 2.0Nm Max

认证 (Approval)

技术参数 Technical Data	UL standard			IEC standard		
UL应用组别(UL Application group)	UL Application group			IEC过电压别/污染等级(IEC overvoltage category /pollution degree)		
IEC过电压别/污染等级(IEC overvoltage category /pollution degree)	B	C	D	III / 3	III / 2	II / 2
额定电压(Rated voltage)	600V	600V	600V	1000V	1000V	1000V
额定电流(Rated current)	115A	115A	5A	125A	125A	125A
额定连接容量(Rated connection capacity)	20 ~ 2AWG Sol&Str			0.5 ~ 35mm ² Sol&Str		
绝缘材料(Insulation Material)	PA66 UL94 V-0					
电流承载部件材料和镀层(Material & Plating of Current carrier)	Copper alloy , Tin plated					
接线弹片材料(Material of Clamp spring)	--					
绝缘电阻(Insulation Resistance)	500MΩ or more at DC500V					
耐电压(1分钟)(Withstanding Voltage/1Min)	4200V					
额定冲击电压(Rated surge voltage)	--					
接线螺丝(Wire clamp unit Screw) , 最大扭矩(torque Max.)	M5 , 2.0Nm Max					
固定螺丝(Mounting Screw) , 扭矩(torque)	--					
剥线长度(Wire stripping length)	18-19mm					
使用温度(Operating temperature)	-40°C up to +105°C					
焊接方式(Soldering recommend)	Wave soldering, 260 °C 5S Max (Single Wave), 260 °C 10S Max(Double Wave)					

订购方式(How to order)



Web: www.china-tianli.com TEL: +86-574-6347-9600, 6389-6436 Mail : sale@china-tianli.cn
地址: 中国浙江省宁波杭州湾新区庵东工业园区纬三路138号
ADD : 138 , Weisan Rd., Andong Development Zone, Hangzhou Bay Area, Ningbo, Zhejiang, China