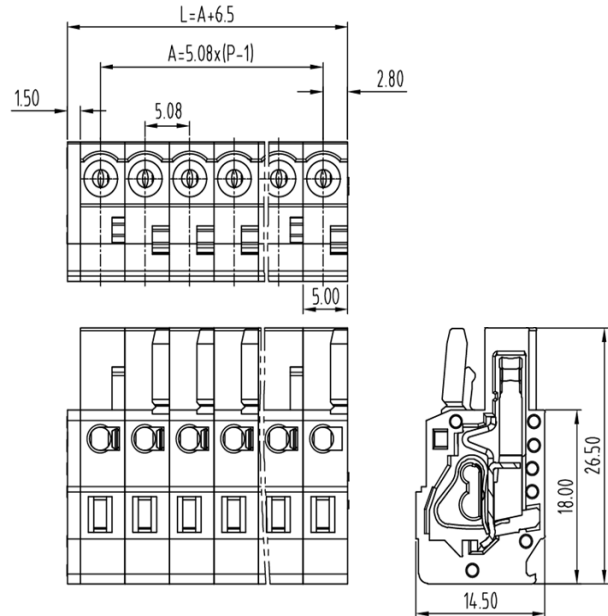


Multi Connection System — TLC series ( Female Connector )— TLCP-300



■ 图示(Pic. shown) : TLCP-300-05P-M19

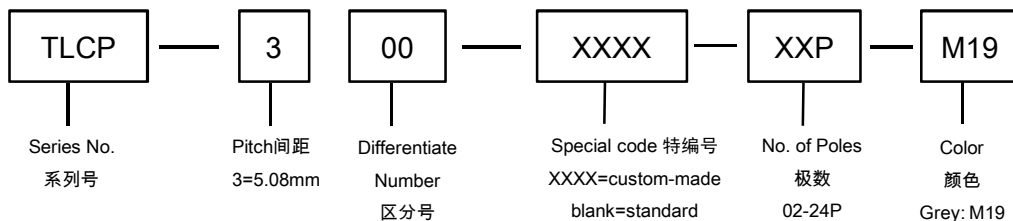
General: Multi Connection System Rated : 320V,20A , 2.5mm<sup>2</sup>  
Single row , 5.08mm pitch , 02-24 Pole  
Wiring orientation: 180°(wire to plug-in )  
Spring clamp unit.

认证 ( Approval ) :



技术参数 Technical Data	UL standard			IEC standard		
	UL Application group			IEC过电压别/污染等级(IEC overvoltage category /pollution degree)		
UL应用组别(UL Application group)	B	C	D	III / 3	III / 2	II / 2
IEC过电压别/污染等级(IEC overvoltage category /pollution degree)						
额定电压(Rated voltage)	300V	--	300V	--	320V	--
额定电流(Rated current)	16A	--	10A	--	20A	--
额定连接容量(Rated connection capacity)	28-12AWG Sol&Str			0.2~2.5mm <sup>2</sup> Sol&Str		
绝缘材料(Insulation Material)				PA66 UL94 V-0		
电流承载部件材料和镀层( Material & Plating of Current carrier )				Copper alloy , Tin plated		
接线弹片材料(Material of Clamp spring )				Stainless steel ( GrNi )		
绝缘电阻(Insulation Resistance)				500MΩ or more at DC500V		
耐电压(1分钟)(Withstanding Voltage/1Min)				2200V/1Min		
额定冲击电压(Rated surge voltage)				4.0KV		
接线螺丝(Wire clamp unit Screw) , 最大扭矩( torque Max. )				--		
固定螺丝(Mounting Screw) , 扭矩(torque)				--		
剥线长度(Wire stripping length)				9.0mm		
使用温度(Operating temperature)				-40°C up to +115°C		
焊接方式(Soldering recommend)				--		

■ 订购方式(How to order)



接线操作杆 Operating lever



P/N:  
TLC-A01

针座 ( Pin header )



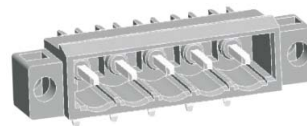
P/N : TLCH-300V  
Orientation :  
90° ( plug-in to board )  
Rated:320V,20A



P/N : TLCHM-300V  
Orientation :  
90° ( plug-in to board )  
Rated:320V,20A  
With mounting flanges



P/N : TLCH-300R  
Orientation :  
180° ( plug-in to board )  
Rated:320V,20A



P/N : TLCHM-300R  
Orientation :  
180° ( plug-in to board )  
Rated:320V,20A  
With mounting flanges