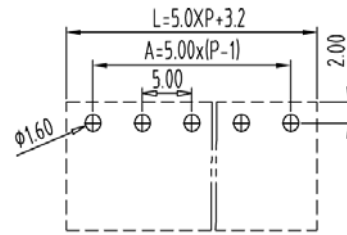
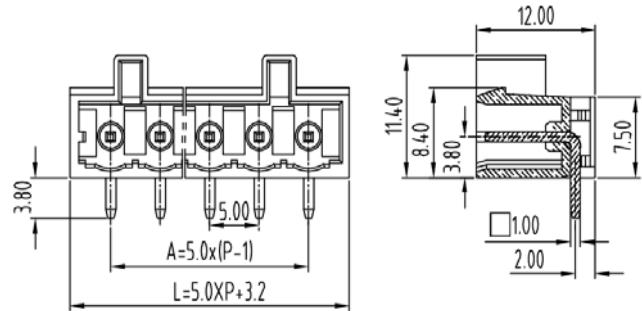


Multi Connection System — TLC series (Pin header)— TLCH-200RA



PCB Layout

■ 图示(Pic. shown) : TLCH-200RA-04P-B02

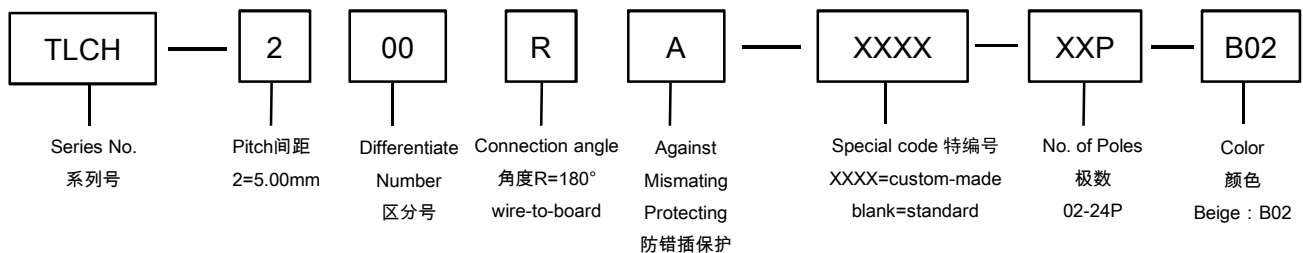
General.	Multi Connection System	Rated : 320V,20A
	Single row , 5.00mm pitch , 02-24 Pole	
	Orientation:180°(plug-in to board)	

认证 (Approval) :



■ 技术参数 Technical Data	UL standard			IEC standard		
	UL应用组别(UL Application group)	UL Application group			IEC过电压别/污染等级(IEC overvoltage category /pollution degree)	
IEC过电压别/污染等级(IEC overvoltage category /pollution degree)	B	C	D	III / 3	III / 2	II / 2
额定电压(Rated voltage)	300V	--	300V	--	320V	--
额定电流(Rated current)	16A	--	10A	--	20A	--
额定连接容量(Rated connection capacity)	--			--		
绝缘材料(Insulation Material)	PA66 UL94 V-0					
电流承载部件材料和镀层(Material & Plating of Current carrier)	Copper alloy , Tin plated					
接线弹片材料(Material of Clamp spring)	--					
绝缘电阻(Insulation Resistance)	500MΩ or more at DC500V					
耐电压(1分钟)(Withstanding Voltage/1Min)	2200V/1Min					
额定冲击电压(Rated surge voltage)	4.0KV					
接线螺丝(Wire clamp unit Screw) , 最大扭矩(torque Max.)	--					
固定螺丝(Mounting Screw) , 扭矩(torque)	--					
剥线长度(Wire stripping length)	--					
使用温度(Operating temperature)	-40°C up to +115°C					
焊接方式(Soldering recommend)	Wave soldering ,260°C 5S Max (Single Wave) , 260°C 10S Max(Double Wave)					

■ 订购方式(How to order)



■ 插头 (Female Connector)



P/N : TLCP-200A
Wiring orientation :
180°(wire to plug-in)
Rated : 320V,20A , 2.5mm²
Spring clamp unit.



P/N : TLCP-200FA
Wiring orientation :
180°(wire to plug-in)
Rated : 320V,20A , 2.5mm²
Spring clamp unit.



P/N : TLCPL-200A
Wiring orientation :
180°(wire to plug-in)
Rated : 320V,20A , 2.5mm²
Spring clamp unit.
With locking levers