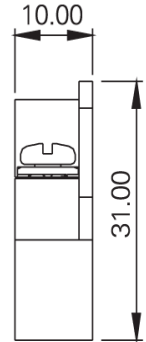
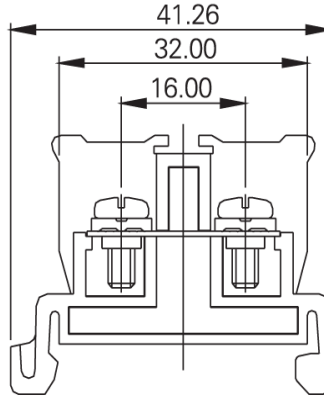


RAILMOUNTED TERMINAL BLOCKS — TBD20



General:	<b>图示(Pic. shown) : TBD20-K</b>
	Railmounted terminal Blocks Rated : 300V,20A , 12AWG
	Single row ,10.0mm pitch , 01 Pole
	Wiring orientation: 180°(wire-to-wire)
	Screw clamp unit: M3.5, 0.8N.m Max

认证 ( Approval ) :

技术参数 Technical Data	UL standard			IEC standard		
UL应用组别(UL Application group)	UL Application group			IEC过电压别/污染等级(IEC overvoltage category /pollution degree)		
IEC过电压别/污染等级(IEC overvoltage category /pollution degree)	B	C	D	III / 3	III / 2	II / 2
额定电压(Rated voltage)	300V	300V	--	--	--	--
额定电流(Rated current)	20A	20A	--	--	--	--
额定连接容量(Rated connection capacity)	22-12AWG Sol&Str			--		
绝缘材料(Insulation Material)				PC V2		
电流承载部件材料和镀层( Material & Plating of Current carrier )				Copper alloy , Ni plated		
接线弹片材料(Material of Clamp spring )				--		
绝缘电阻(Insulation Resistance)				500MΩ or more at DC500V		
耐电压(1分钟)(Withstanding Voltage/1Min)				2500V		
额定冲击电压(Rated surge voltage)				--		
接线螺丝(Wire clamp unit Screw) , 最大扭矩( torque Max. )				M3.5, 0.8N.m Max		
固定螺丝(Mounting Screw) , 扭矩(torque)				--		
剥线长度(Wire stripping length)				--		
使用温度(Operating temperature)				-40°C up to +125°C		
焊接方式(Soldering recommend)				--		

订购方式(How to order)

