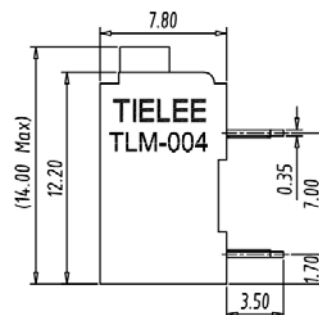
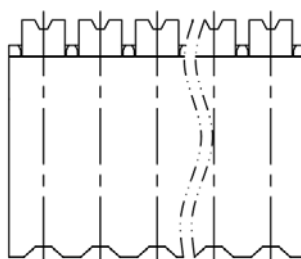
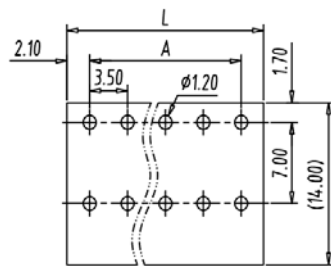
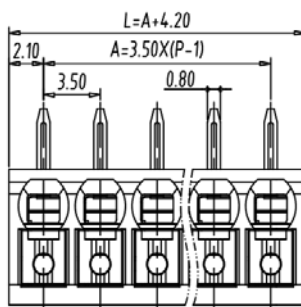


PCB terminal block — TLM series (Screwless Type) — TLM-004NRT-3.50



■ 图示(Pic. shown) : TLM-004NRT-3.50-05P-K

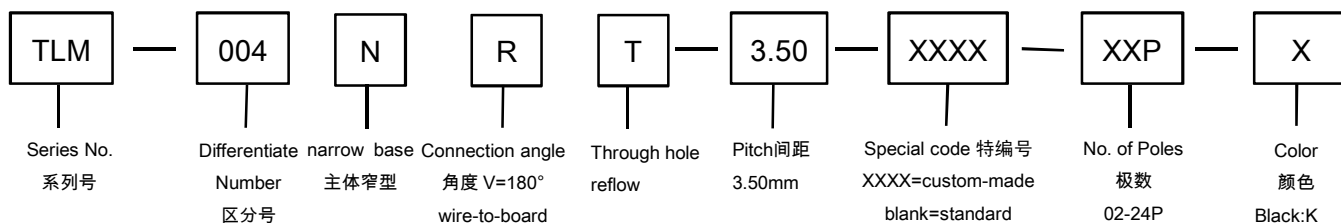
General:	PCB terminal block	Rated : 160V,17.5A 1.5mm ²
	Single row , 3.50mm pitch , 02-24 Pole	
	Wiring orientation: 180°(wire-to-board)	
	Screwless Type	

认证 (Approval)



技术参数 Technical Data	UL standard			IEC standard		
	UL应用组别(UL Application group)	UL Application group			IEC过电压别/污染等级(IEC overvoltage category /pollution degree)	
IEC过电压别/污染等级(IEC overvoltage category /pollution degree)	B	C	D	III / 3	III / 2	II / 2
额定电压(Rated voltage)	300V	--	300V	160V	160V	320V
额定电流(Rated current)	12A	--	10A	17.5A	17.5A	17.5A
额定连接容量(Rated connection capacity)	28-16AWG Sol&Str			0.2~1.5mm ² Sol&Str		
绝缘材料(Insulation Material)	PA-HT UL94 V-0			PA-HT UL94 V-0		
电流承载部件材料和镀层(Material & Plating of Current carrier)	H-Copper alloy , Tin plated			H-Copper alloy , Tin plated		
接线弹片材料(Material of Clamp spring)	Stainless			Stainless		
绝缘电阻(Insulation Resistance)	500MΩ or more at DC500V			500MΩ or more at DC500V		
耐电压(1分钟)(Withstanding Voltage/1Min)	1600V			1600V		
额定冲击电压(Rated surge voltage)	2500V			2500V		
接线螺丝(Wire clamp unit Screw) , 最大扭矩(torque Max.)	--			--		
固定螺丝(Mounting Screw) , 扭矩(torque)	--			--		
剥线长度(Wire stripping length)	8.0-9.0mm			8.0-9.0mm		
使用温度(Operating temperature)	-40°C up to +130°C			-40°C up to +130°C		
焊接方式(Soldering recommend)	Reflow soldering ,260°C 10S Max					

■ 订购方式(How to order)



Web:www.tielee.com/www.china-tianli.com/ TEL:+86-574-6347-9600,6389-6436 Mail : sale@china-tianli.cn

地址:中国浙江省宁波杭州湾新区庵东工业园区纬三路138号

ADD : 138 , Weisan Rd.,Andong Development Zone, Hangzhou Bay Area, Ningbo, Zhejiang, China