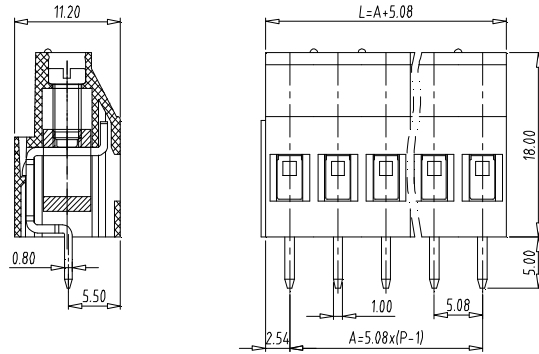


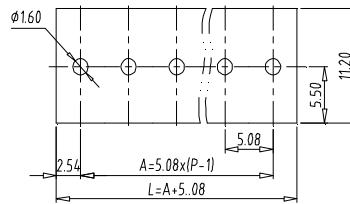
PCB Connector — TL series (Raising clamp)— TL312V



■ 图示(Pic. shown) : TL312V-05P-G12S

General.	PCB Connector Rated : 300V,20A , 4mm ²
	Single row , 5.08mm pitch , 02-24 Pole
	Wiring orientation: 180°(wire to board)
	Screw clamp unit: M3.0, 0.5Nm Max

认证 (Approval) :



技术参数 Technical Data	UL standard			IEC standard		
UL应用组别(UL Application group)	UL Application group			IEC过电压别/污染等级(IEC overvoltage category /pollution degree)		
IEC过电压别/污染等级(IEC overvoltage category /pollution degree)	B	C	D	III / 3	III / 2	II / 2
额定电压(Rated voltage)	300V	/	300V	/	300V	/
额定电流(Rated current)	20A	/	10A	/	20A	/
额定连接容量(Rated connection capacity)	24-12AWG Sol&Str			0.34~4.0mm ² Sol&Str		
绝缘材料(Insulation Material)	PA66 UL94 V-0					
电流承载部件材料和镀层(Material & Plating of Current carrier)	Copper alloy , Tin plated					
接线弹片材料(Material of Clamp spring)	--					
绝缘电阻(Insulation Resistance)	500MΩ or more at DC500V					
耐电压(1分钟)(Withstanding Voltage/1Min)	2200V					
额定冲击电压(Rated surge voltage)	--					
接线螺丝(Wire clamp unit Screw) , 最大扭矩(torque Max.)	M3 , 0.5Nm Max					
固定螺丝(Mounting Screw) , 扭矩(torque)	--					
剥线长度(Wire stripping length)	6.0mm					
使用温度(Operating temperature)	-40°C up to +105°C					
焊接方式(Soldering recommend)	Wave soldering ,260°C 5S Max (Single Wave) , 260°C 10S Max(Double Wave)					

■ 订购方式(How to order)

