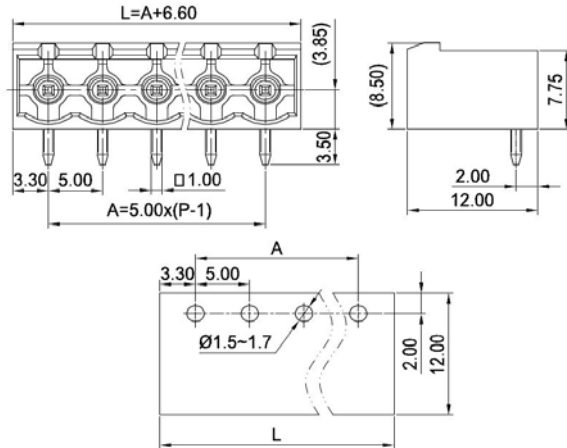





PCB Connector — TLP series (Pin header)— TLPHC-200R-1112



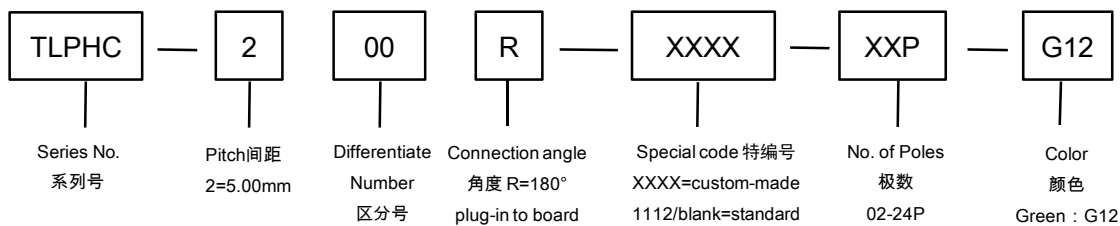
■ 图示(Pic. shown) : TLPHC-200R-1112-06P-G12

General.	PCB Connector Rated : 630V,20A
	Single row , 5.00mm pitch , 02-24 Pole
	Orientation:180°(plug-in to board)

认证 (Approval) :   

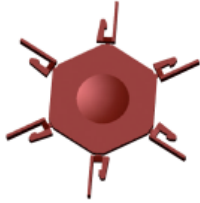
技术参数 Technical Data	UL standard			IEC standard		
UL应用组别(UL Application group)	UL Application group			IEC过电压别/污染等级(IEC overvoltage category /pollution degree)		
IEC过电压别/污染等级(IEC overvoltage category /pollution degree)	B	C	D	III / 3	III / 2	II / 2
额定电压(Rated voltage)	300V	--	300V	250V	320V	630V
额定电流(Rated current)	16A	--	10A	20A	20A	20A
额定连接容量(Rated connection capacity)	--			--		
绝缘材料(Insulation Material)	PA66 UL94 V-0					
电流承载部件材料和镀层(Material & Plating of Current carrier)	Copper alloy , Tin plated					
接线弹片材料(Material of Clamp spring)	--					
绝缘电阻(Insulation Resistance)	500MΩ or more at DC500V					
耐电压(1分钟)(Withstanding Voltage/1Min)	2000V					
额定冲击电压(Rated surge voltage)	4000V					
接线螺丝(Wire clamp unit Screw) , 最大扭矩(torque Max.)	--					
固定螺丝(Mounting Screw) , 扭矩(torque)	--					
剥线长度(Wire stripping length)	--					
使用温度(Operating temperature)	-40°C up to +105°C(UL)/-40°C up to +115°C(IEC)					
焊接方式(Soldering recommend)	Wave soldering ,260°C 5S (Single Wave) , 260°C 10S Max(Double Wave)					

■ 订购方式(How to order)



Web:www.tielee.com/www.china-tianli.com TEL:+86-574-6347-9600,6389-6436 Mail : sale@china-tianli.cn
地址:中国浙江省宁波杭州湾新区庵东工业园区纬三路138号
ADD : 138 , Weisan Rd.,Andong Development Zone, Hangzhou Bay Area, Ningbo, Zhejiang, China

■ 编码片 Coding key



P/N:
TLPCK-003-S

■ 插头 (Female Connector) — single row



P/N : TLPS-200V
Wiring orientation :
180°(wire to plug-in)
Rated : 320V,20A , 4mm²
Screw clamp unit: M3 , 0.5N·m



P/N : TLPS-200R
Wiring orientation :
90°(wire to plug-in)
Rated : 320V,20A , 4mm²
Screw clamp unit: M3 , 0.5N·m

■ 插头 (Female Connector) — single row



P/N : TLPS-200RL
Wiring orientation :
90°(wire to plug-in)
Rated : 630V,15A , 4mm²
Screw clamp unit: M3 , 0.5N·m



P/N : TLPS-201V
Wiring orientation :
180°(wire to plug-in)
Rated : 320V,15A , 2.5mm²
Spring clamp unit.

■ 插头 (Female Connector) — single row



P/N : TLPS-201R
Wiring orientation :
90°(wire to plug-in)
Rated :630V,17A , 2.5mm²
Spring clamp unit.



P/N : TLPS-201RL
Wiring orientation :
90°(wire to plug-in)
Rated : 630V,17A , 2.5mm²
Spring clamp unit.

■ 插头 (Female Connector) — single row



P/N : TLPS-207
Wiring orientation :
180°(wire to plug-in)
Rated : 630V,20A , 4mm²
Screw clamp unit: M3 , 0.5N·m



P/N : TLPS-214V
Wiring orientation :
180°(wire to plug-in)
Rated : 630V,15A , 2.5mm²
Spring clamp unit.

■ 插头 (Female Connector) — single row



P/N : TLPS-215

Wiring orientation :

180°(wire to plug-in)

Rated : 630V,20A , 2.5mm²

Screw clamp unit: M2.5 , 0.4N·m