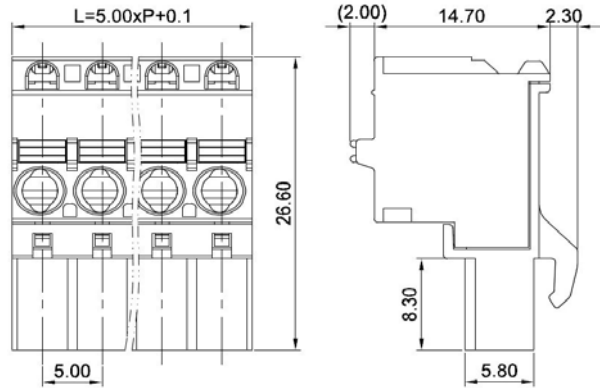


PCB Connector — TLP series (Female Connector)— TLPS-201RL



■ 图示(Pic. shown) : TLPS-201RL-06P-G12

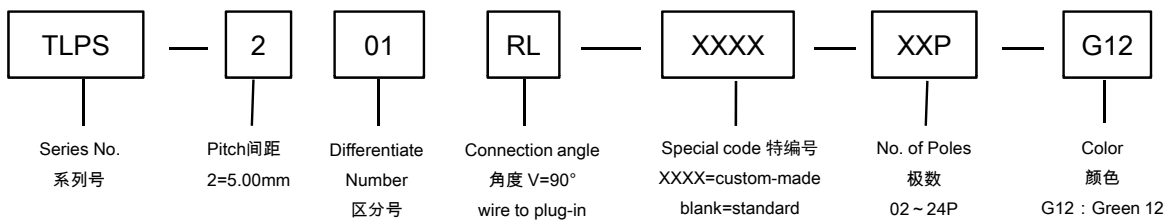
General.	PCB Connector Rated : 630V, 15A , 2.5mm ²
	Single row , 5.00mm pitch , 02 ~ 24 Pole
	Wiring orientation: 90°(wire to plug-in)
	Spring clamp unit.

认证 (Approval) :



技术参数 Technical Data	UL standard			IEC standard		
UL应用组别(UL Application group)	UL Application group			IEC过电压别/污染等级(IEC overvoltage category /pollution degree)		
IEC过电压别/污染等级(IEC overvoltage category /pollution degree)	B	C	D	III / 3	III / 2	II / 2
额定电压(Rated voltage)	300V	--	300V	250V	320V	630V
额定电流(Rated current)	12A	--	10A	15A	15A	15A
额定连接容量(Rated connection capacity)	26 ~ 12AWG Sol&Str			0.2 ~ 2.5mm ² Sol&Str		
绝缘材料(Insulation Material)				PA66 UL94 V-0		
电流承载部件材料和镀层(Material & Plating of Current carrier)				Copper alloy , Tin plated		
接线弹片材料(Material of Clamp spring)				Stainless steel		
绝缘电阻(Insulation Resistance)				500MΩ or more at DC500V		
耐电压(1分钟)(Withstanding Voltage/1Min)				1600V		
额定冲击电压(Rated surge voltage)				4000V		
接线螺丝(Wire clamp unit Screw) , 最大扭矩(torque Max.)				--		
固定螺丝(Mounting Screw) , 扭矩(torque)				--		
剥线长度(Wire stripping length)				9 ~ 10mm		
使用温度(Operating temperature)				-40°C up to +115°C		
焊接方式(Soldering recommend)				--		

■ 订购方式(How to order)



■ 编码片 Coding key



P/N:
TLPCK-002-S

■ 针座 (Pin header) — single row



P/N : TLPH-200V
Orientation :
90° (plug-in to board)
Rated:630V,20A
Open side(stack available)



P/N : TLPHC-200V
Orientation :
90° (plug-in to board)
Rated:630V,20A
Closed side

■ 针座 (Pin header) — single row



P/N : TLPH-200R
Orientation :
180° (plug-in to board)
Rated:630V,20A
Open side(stack available)



P/N : TLPHC-200R
Orientation :
180° (plug-in to board)
Rated:630V,20A
Closed side

■ 针座 (Pin header) — single row



P/N : TLPH-200R-1603
Orientation :
180° (plug-in to board)
Rated:630V,20A
Open side(stack available)



P/N : TLPHC-200R-1603
Orientation :
180° (plug-in to board)
Rated:630V,20A
Closed side

■ 针座 (Pin header) — single row



P/N : TLPH-200V-XXP-HT
Orientation :
90° (plug-in to board)
Rated:630V,20A
Open side(stack available)



P/N : TLPHC-200V-XXP-HT
Orientation :
90° (plug-in to board)
Rated:630V,20A
Closed side

PCB Connector — TLP series (Female Connector)— TLPS-201RL—Accessories & Mating connectors

■ 针座 (Pin header) — single row



P/N : TLPH-200R-XXP-HT
Orientation :
180° (plug-in to board)
Rated : 630V,20A
Open side(stack available)



P/N : TLPHC-200R-XXP-HT
Orientation :
180° (plug-in to board)
Rated:630V,20A
Closed side

■ 针座 (Pin header) — dual row in 1 plane



P/N : TLPHDC-200V
Orientation :
90° (plug-in to board)
Rated:320V,20A
Closed side



P/N : TLPHDC-200R
Orientation :
180° (plug-in to board)
Rated : 320V,20A
Closed side

■ 针座 (Pin header) — single row



P/N : TLPH-201R
Orientation :
Right(Fix on PCB)
Rated : 630V,20A
Open side(stack available)



P/N : TLPH-201RL
Orientation :
Left(Fix on PCB)
Rated : 630V,20A
Open side(stack available)

■ 针座 (Pin header) — dual row staggered



P/N : TLPHD-203V
Orientation :
90° (plug-in to board)
Rated : 320V,20A
Open side(stack available)



P/N : TLPHD-203R
Orientation :
180° (plug-in to board)
Rated : 320V,20A
Open side(stack available)

■ 针座 (Pin header) — dual row staggered



P/N : TLPHDC-203V
Orientation :
90° (plug-in to board)
Rated : 320V,20A
Closed side



P/N : TLPHDC-203R
Orientation :
180° (plug-in to board)
Rated : 320V,20A
Closed side