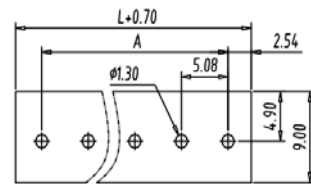
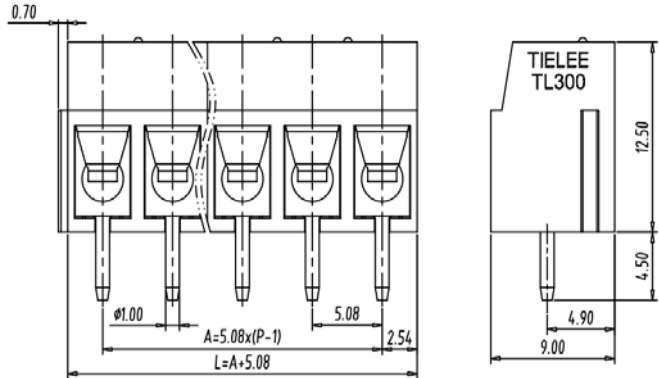


PCB terminal block — TL series ( Wire Protector ) — TL300V



**图示(Pic. shown) : TL300V-05P-KS**

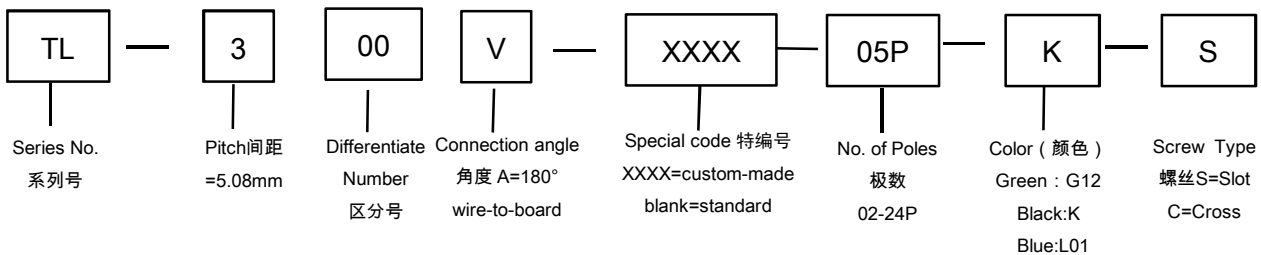
General:	PCB terminal block	Rated : 250V,24A 2.5mm <sup>2</sup>
	Single row , 5.08mm pitch , 02-24 Pole	
	Wiring orientation: 180°(wire-to-board)	
	Screw clamp unit: M3 , 0.5Nm Max	

认证 ( Approval )



技术参数 Technical Data	UL standard			IEC standard		
	UL Application group			IEC过电压别/污染等级(IEC overvoltage category /pollution degree)		
UL应用组别(UL Application group)	B	C	D	III / 3	III / 2	II / 2
IEC过电压别/污染等级(IEC overvoltage category /pollution degree)				250V	250V	630V
额定电压(Rated voltage)	300V	--	300V	24A	24A	24A
额定电流(Rated current)	16A	--	10A	0.5~2.5mm <sup>2</sup>		
额定连接容量(Rated connection capacity)	22-14AWG Sol&Str			0.5~2.5mm <sup>2</sup>		
绝缘材料(Insulation Material)	PA66 UL94 V-0					
电流承载部件材料和镀层( Material & Plating of Current carrier )	Copper alloy , Tin plated					
接线弹片材料(Material of Clamp spring )	Stainless					
绝缘电阻(Insulation Resistance)	500MΩ or more at DC500V					
耐电压(1分钟)(Withstanding Voltage/1Min)	2000V					
额定冲击电压(Rated surge voltage)	4000V					
接线螺丝(Wire clamp unit Screw) , 最大扭矩( torque Max. )	M3 , 0.5Nm Max					
固定螺丝(Mounting Screw) , 扭矩(torque)	--					
剥线长度(Wire stripping length)	6.0mm-7.0mm					
使用温度(Operating temperature)	-40°C up to +105°C					
焊接方式(Soldering recommend)	Wave soldering ,260°C 5S Max (Single Wave) , 260°C 10S Max(Double Wave)					

**订购方式(How to order)**



Web:www.tielee.com/www.china-tianli.com/ TEL:+86-574-6347-9600,6389-6436 Mail : sale@china-tianli.cn

地址:中国浙江省宁波杭州湾新区庵东工业园区纬三路138号

ADD : 138 , Weisan Rd.,Andong Development Zone, Hangzhou Bay Area, Ningbo, Zhejiang, China