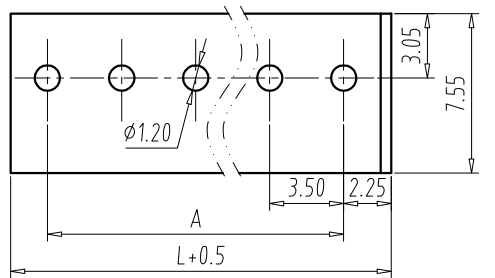


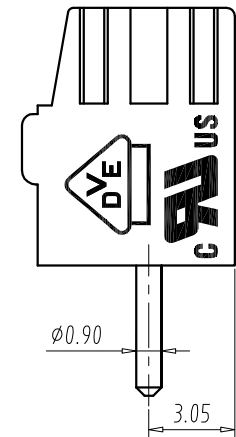
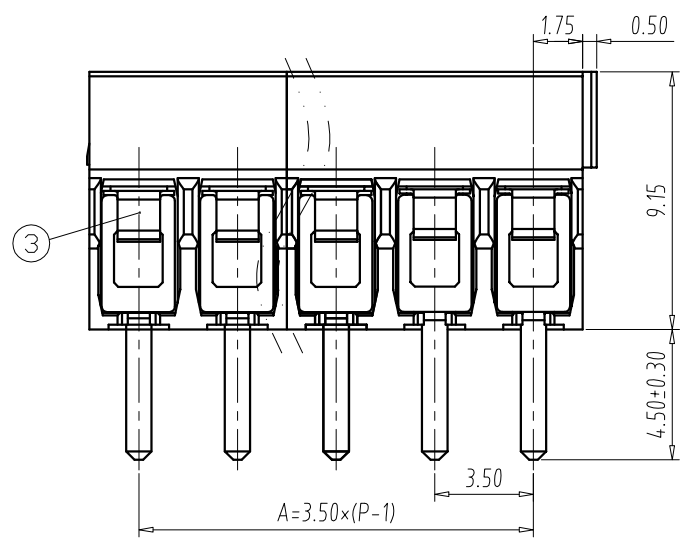
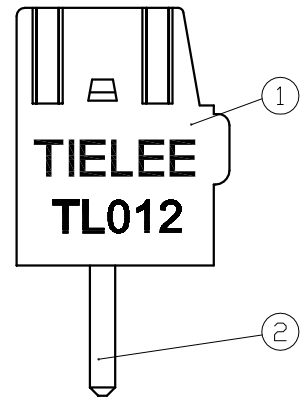
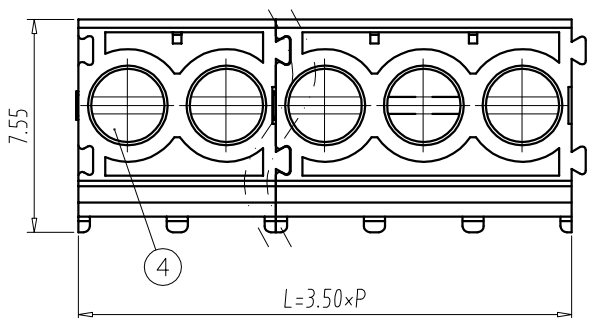
REV	E.C.N NO.	CONTENT	CHK	DATE
V1.0		ORIGINAL	GJJ	2023.08.26

**NOTES:**

- UL:
  - Rating:300V, 10A;
  - Insulation Withstands Voltage:AC1600V/MIN;
  - Suitable Electric Wire:26AWG~16AWG
- IEC:
  - Rating:160V, 17.5A;
  - Rate Impulse Voltage:2500V;
  - Insulation Resistance:500MΩ or more at DC500V;
  - Contact Resistance: ≤5mΩ
  - Material Group: I ;
  - Pollution Degree:2;
  - Overtoltage Category:III;
  - Suitable Electric Wire:0.2mm<sup>2</sup>~1.5mm<sup>2</sup>



**PCB LAYOUT**  
S=3:1



DIM	P	2	3	4	5	6	7	8	9	10	11	12													
L	7	10.5	14	17.5	21	24.5	28	31.5	35	38.5	42														
A	3.5	7	10.5	14	17.5	21	24.5	28	31.5	35	38.5														
DIM	P	13	14	15	16	17	18	19	20	21	22	23	24												
L	45.5	49	52.5	56	59.5	63	66.5	70	73.5	77	80.5	84													
A	42	45.5	49	52.5	56	59.5	63	66.5	70	73.5	77	80.5													
Total Pitch Tolerances in mm								Nominal dimension range in mm																	
over	over	over	over	over	over	over	over	over	over	over	over	over	over	over	over	over	over	over	over	over	over	over	over	over	
0	30	53	70	90	115	150	200	250	0	30	53	70	90	115	150	200	250	30	53	70	90	115	150	200	250
to	to	to	to	to	to	to	to	to	to	to	to	to	to	to	to	to	to	to	to	to	to	to	to	to	to
30	53	70	90	115	150	200	320	30	53	70	90	115	150	200	250	320	30	53	70	90	115	150	200	250	320
±0.20	±0.25	±0.3	±0.35	±0.44	±0.55	±0.70	±1.00	±0.25	±0.30	±0.35	±0.44	±0.55	±0.70	±0.80	±0.90	±1.20									

- Using Temperature Range:-40℃~+115℃;
- Screw Torque Value:0.2N·m
- Strip length:5.0~6.0mm
- RoHS compliance;

4	SCREW	P	STEEL	M2/Zn Plated
3	SPRINGCOIL	P	STAINLESS	/
2	SOLDER PIN	P	COPPER ALLOY	Tin Plated
1	HOUSING	1	PA66	UL94V-0
ITEM	NAME OF PART	Q'TY	MATERIAL	NOTE

DWG.	SK	DATE	2020.06.10	UNITS	MM	SHEET/OF	1/1
CHK.		DATE		SCALE	4:1	A4	
APP.		DATE		NAME	TL012V-XXP-XS		
TIANLI ELECTRICAL MACHINERY(NINGBO)CO.,LTD.				DWGNO	TLDW-TL012VXXPX5		