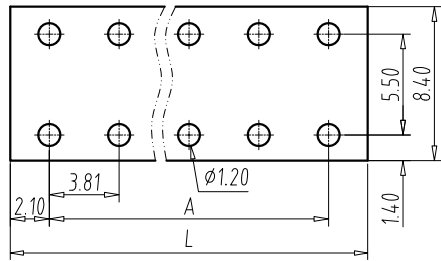
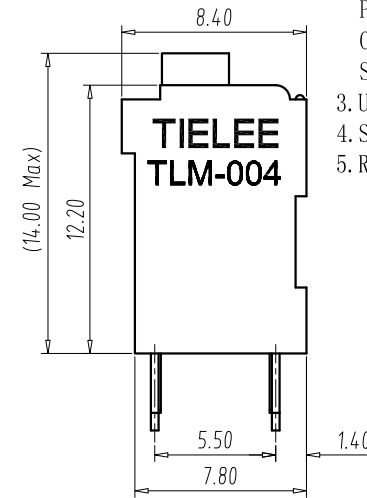
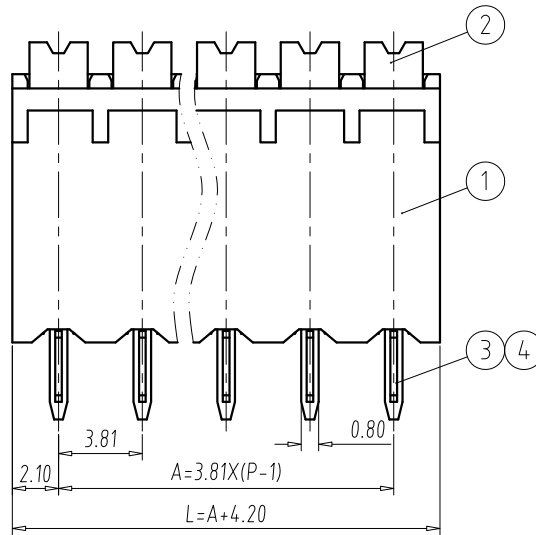
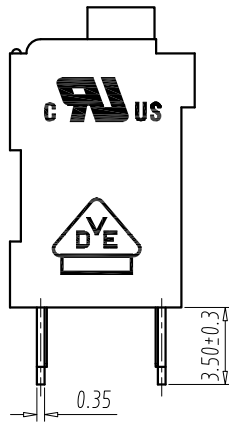
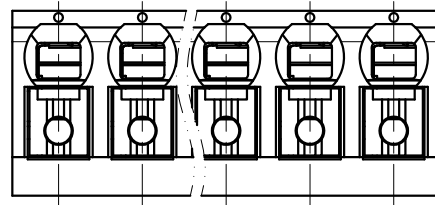


FILE: TLM\004\TLM-004VT-3.81-XXP-X

REV	E.C.N NO.	CONTENT	CHK	DATE
V1.0		ORIGINAL	YHZ	2022.05.27



PCB LAYOUT
S=2.5:1



NOTES:

- UL:
 - Rating:300V, 12A
 - Insulation Withstands Voltage:AC1600V/MIN
 - Suitable Electric Wire:28AWG~16AWG
- IEC:
 - Rating:160V, 17. 5A
 - Rate Impulse Voltage:2500V
 - Insulation Resistance:500MΩ or more at DC500V
 - Contact Resistance:≤5mΩ
 - Material Group: I
 - Pollution Degree:2
 - Overvoltage Category:III
 - Suitable Electric Wire:0. 2mm²~1. 5mm²
- Using Temperature Range:-40℃~+130℃
- Strip length:8. 0~9. 0mm
- RoHS compliance

DIM	P	2	3	4	5	6	7	8	9	10	11	12
A		3.81	7.62	11.43	15.24	19.05	22.86	26.67	30.48	34.29	38.1	41.91
L		8.01	11.82	15.63	19.44	23.25	27.06	30.87	34.68	38.49	42.3	46.11

DIM	P	13	14	15	16	17	18	19	20	21	22	23	24
A		45.72	49.53	53.34	57.15	60.96	64.77	68.58	72.39	76.2	80.01	83.82	87.63
L		49.92	53.73	57.54	61.35	65.16	68.97	72.78	76.59	80.4	84.21	88.02	91.83

Total Pitch Tolerances in mm										Nominal dimension range in mm									
over 0	over 30	over 53	over 70	over 90	over 115	over 150	over 200	over 250	over 300	over 30	over 53	over 70	over 90	over 115	over 150	over 200	over 250	over 300	over 320
±0.20	±0.25	±0.30	±0.35	±0.44	±0.55	±0.70	±0.85	±1.00	±0.25	±0.30	±0.35	±0.44	±0.55	±0.70	±0.80	±0.90	±1.20		

4	SOLDER PIN	P	H-Copper Alloy	Tin PLATED
3	SPRING	P	Stainless	/
2	LEVER	P	PA-HT	UL94 V-0
1	HOUSING	1	PA-HT	UL94 V-0
ITEM	NAME OF PART	Q'TY	MATERIAL	NOTE

DWG.	YHZ	DATE	2022.05.27	UNITS	MM	SHEET/OF	1/1
CHK.		DATE		SCALE	3 : 1	A4	
APP.		DATE		NAME	TLM-004VT-3.81-XXP-X		
				DWGNO.	TLDW-TLM004VT3.81XXPX		

TIANLI
ELECTRICAL MACHINERY(NINGBO)CO.,LTD.