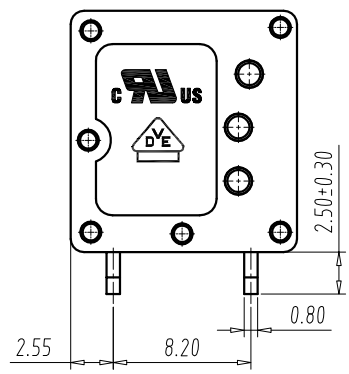
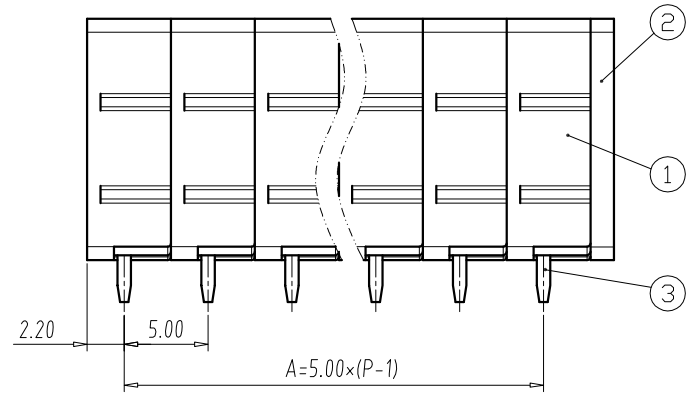
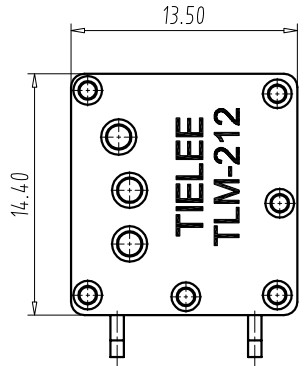


- NOTES:**
- UL:
 - Rating:300V, 20A
 - Insulation Withstands Voltage:AC2500V/MIN
 - Suitable Electric Wire:26AWG~12AWG
 - IEC:
 - Rating:320V, 24A
 - Rate Impulse Voltage:4000V
 - Insulation Resistance:500MΩ or more at DC500V
 - Contact Resistance: ≤5mΩ
 - Material Group: I
 - Pollution Degree:2
 - Overvoltage Category:III
 - Suitable Electric Wire:0.2mm²~2.5mm², 4mm² (SOL)
 - Using Temperature Range:-40°C~+115°C
 - Strip length:10mm
 - RoHS compliance



DIM	P	1	2	3	4	5	6	7	8	9	10	11	12				
		L	6.4	11.4	16.4	21.4	26.4	31.4	36.4	41.4	46.4	51.4	56.4	61.4			
DIM	P	13	14	15	16	17	18	19	20	21	22	23	24				
		L	66.4	71.4	76.4	81.4	86.4	91.4	96.4	101.4	106.4	111.4	116.4	121.4			
A	P	A	60	65	70	75	80	85	90	95	100	105	110	115			
		Total Pitch Tolerances in mm						Nominal dimension range in mm									
over	over	over	over	over	over	over	over	over	over	over	over	over	over	over			
0	30	53	70	90	115	150	200	250	0	30	53	70	90	115	150	200	250
to	to	to	to	to	to	to	to	to	to	to	to	to	to	to	to	to	to
30	53	70	90	115	150	200	250	320	30	53	70	90	115	150	200	250	320
		±0.20	±0.25	±0.3	±0.35	±0.44	±0.55	±0.70	±0.25	±0.30	±0.35	±0.44	±0.55	±0.70	±0.80	±0.90	±1.20

4	SPRING COIL	P	Stainless Steel	/
3	SOLDER PIN	P	Copper Alloy	Tin Plated
2	COVER	1	PA66	UL94V-0
1	HOUSING	P	PA66	UL94V-0
ITEM	NAME OF PART	Q'TY	MATERIAL	NOTE

DWG.	CZM	DATE	2020.10.13	UNITS	MM	SHEET/OF	1/1
CHK.		DATE		SCALE	2.5 : 1	A4	
APP.		DATE		TIANLI ELECTRICAL MACHINERY(NINGBO)CO.,LTD.			
				DWGN0	TLDW-TLM212VXXPX		