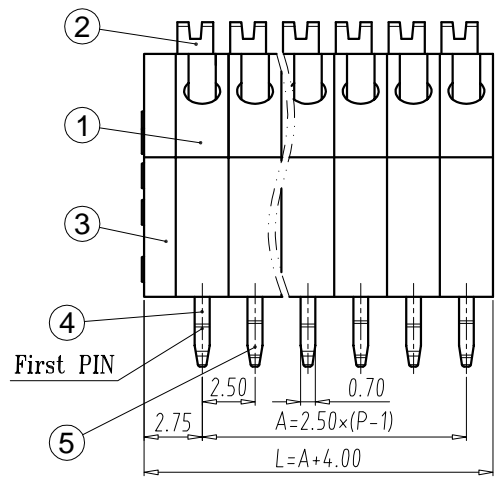
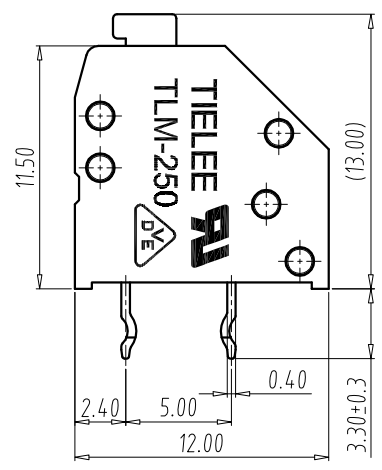
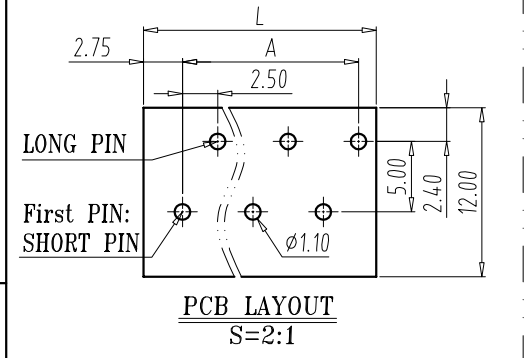


REV	E.C.N NO.	CONTENT	CHK	DATE
V2.0	S2210015	Update technical parameters	CFJ	2022.10.29



NOTES:

- UL:**
Rating: 250V, 2A;
Insulation Withstands Voltage: AC1500V/MIN;
Suitable Electric Wire: 20AWG
- IEC:**
Rating: 250V, 2A;
Rate Impulse Voltage: 4000V;
Insulation Resistance: 500MΩ or more at DC500V;
Contact Resistance: ≤5mΩ;
Material Group: I;
Pollution Degree: 2;
Overvoltage Category: III;
Suitable Electric Wire: 0.2~0.5mm²
- Using Temperature Range: -40℃~+105℃;
- Strip length: 8.0~9.0mm;
- RoHS compliance

DIM	P	02P	03P	04P	05P	06P	07P	08P	09P	10P	11P	12P	
A		2.5	5.0	7.5	10.0	12.5	15.0	17.5	20.0	22.5	25.0	27.5	
L		6.5	9.0	11.5	14.0	16.5	19.0	21.5	24.0	26.5	29.0	31.5	
DIM	P	13P	14P	15P	16P	17P	18P	19P	20P	21P	22P	23P	24P
A		30.0	32.5	35.0	37.5	40.0	42.5	45.0	47.5	50.0	52.5	55.0	57.5
L		34.0	36.5	39.0	41.5	44.0	46.5	49.0	51.5	54.0	56.5	59.0	61.5

Total Pitch Tolerances in mm										Nominal dimension range in mm									
over	over	over	over	over	over	over	over	over	over	over	over	over	over	over	over	over	over	over	over
0	30	53	70	90	115	150	200	250	320	0	30	53	70	90	115	150	200	250	320
to	to	to	to	to	to	to	to	to	to	to	to	to	to	to	to	to	to	to	to
30	53	70	90	115	150	200	250	320	±1.00	±0.25	±0.30	±0.35	±0.44	±0.55	±0.70	±0.80	±0.90	±1.20	±1.20

5	LONG PIN	EVEN P/2 ODD (P-1)/2	COPPER ALLOY	Tin Plated
4	SHORT PIN	EVEN P/2 ODD (P-1)/2	COPPER ALLOY	Tin Plated
3	COVER	1	PA66	UL94 V-0
2	LEVER	P	PA66	UL94 V-0
1	HOUSING	P	PA66	UL94 V-0
ITEM	NAME OF PART	Q'TY	MATERIAL	NOTE

DWG.	hyt	DATE	2021.01.18	UNITS	MM	SHEET/OF	1/1
CHK.		DATE		SCALE	3 : 1	A4	
APP.		DATE		NAME: TLM-250D-XXP-X			
TIANLI ELECTRICAL MACHINERY(NINGBO)CO.,LTD.				DWGNO.	TLDW-TLM250DXXPX		