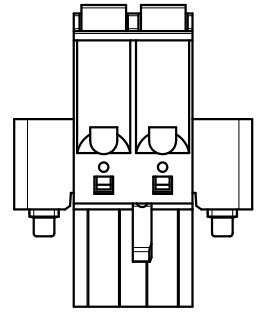


FILE: TLP\309\TLPSW-309-XXP-X

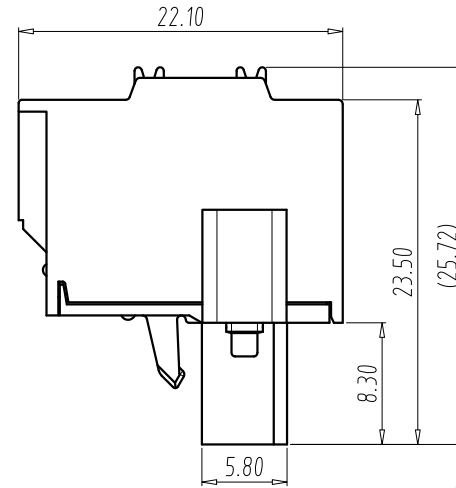
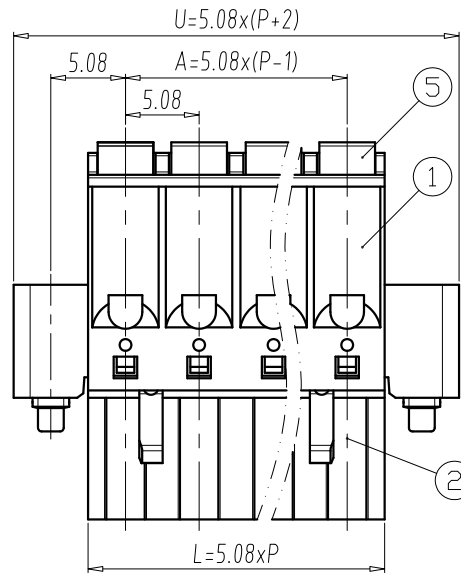
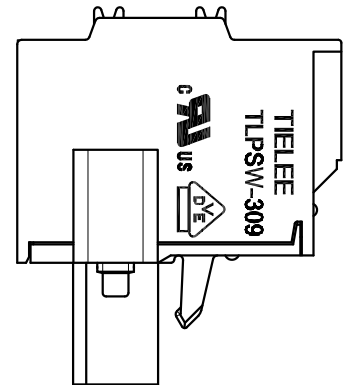
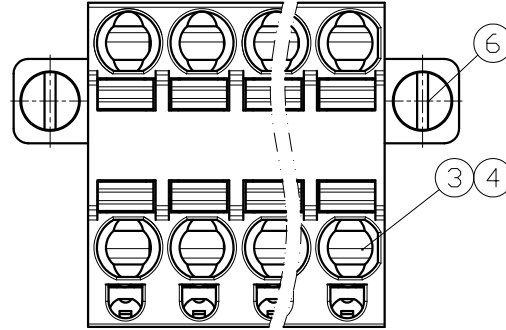
REV	E.C.N NO.	CONTENT	CHK	DATE
V1.0		ORIGINAL	YHZ	2022.01.10

NOTES:

- UL:
 - Rating:300V, 12A;
 - Insulation Withstands Voltage:AC1600V/MIN;
 - Suitable Electric Wire:26AWG~12AWG
 - Using Temperature Range:-40℃~+115℃
- IEC:
 - Rating:320V, 12A;
 - Rate Impulse Voltage:4000V;
 - Insulation Resistance:500MΩ or more at DC500V;
 - Contact Resistance: ≤5mΩ
 - Material Group: I;
 - Pollution Degree:2;
 - Overtoltage Category:III;
 - Suitable Electric Wire:0.34mm²~2.5mm²
 - Using Temperature Range:-40℃~+120℃
- Strip length:11~12mm
- RoHS compliance;



2P



DIM	P	2	3	4	5	6	7	8	9	10	11	12	
A		5.08	10.16	15.24	20.32	25.4	30.48	35.56	40.64	45.72	50.8	55.88	
L		10.16	15.24	20.32	25.4	30.48	35.56	40.64	45.72	50.8	55.88	60.96	
U		20.32	25.4	30.48	35.56	40.64	45.72	50.8	55.88	60.96	66.04	71.12	
DIM	P	13	14	15	16	17	18	19	20	21	22	23	24
A		60.96	66.04	71.12	76.2	81.28	86.36	91.44	96.52	101.6	106.68	111.76	116.84
L		66.04	71.12	76.2	81.28	86.36	91.44	96.52	101.6	106.68	111.76	116.84	121.92
U		76.2	81.28	86.36	91.44	96.52	101.6	106.68	111.76	116.84	121.92	127.00	132.08

Total Pitch Tolerances in mm												Nominal dimension range in mm											
over	over	over	over	over	over	over	over	over	over	over	over	over	over	over	over	over	over	over	over	over	over		
0	30	53	70	90	115	150	200	250	0	30	53	70	90	115	150	200	250	0	30	53	70		
to	to	to	to	to	to	to	to	to	to	to	to	to	to	to	to	to	to	to	to	to	to		
30	53	70	90	115	150	200	250	320	30	53	70	90	115	150	200	250	320	30	53	70	90		
±0.20	±0.25	±0.30	±0.35	±0.44	±0.55	±0.70	±0.85	±1.00	±0.25	±0.30	±0.35	±0.44	±0.55	±0.70	±0.80	±0.90	±1.20						

6	SCREW	2	STEEL	M2.5/Zn Plated
5	LEVER	2P	PA66	UL94 V-0 ORANGE
4	SPRING	P	STAINLESS	/
3	CLAMP	P	COPPER ALLOY	TIN PLATED
2	COVER	1	PA66	UL94 V-0
1	HOUSING	1	PA66	UL94 V-0
ITEM	NAME OF PART	Q'TY	MATERIAL	NOTE

DWG.	YHZ	DATE	2022.01.10	UNITS	MM	SHEET/OF	1/1
CHK.		DATE		SCALE	3:1	A4	
APP.		DATE		NAME: TLPSW-309-XXP-X DWGNO: TLDW-TLPSW309XXPX			
TIANLI ELECTRICAL MACHINERY(NINGBO)CO.,LTD.							