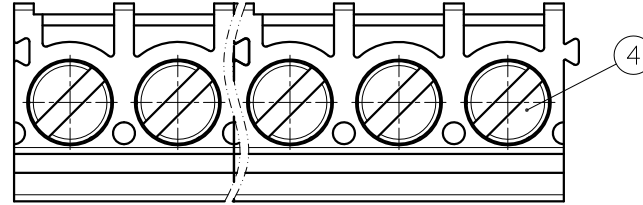
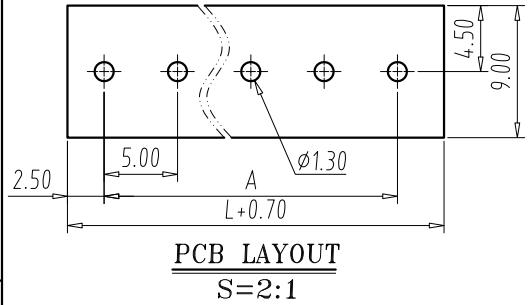
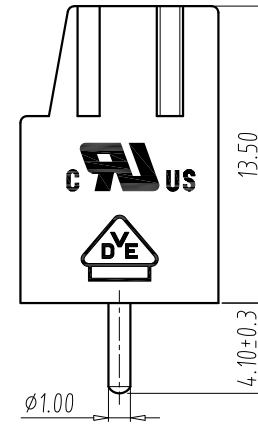
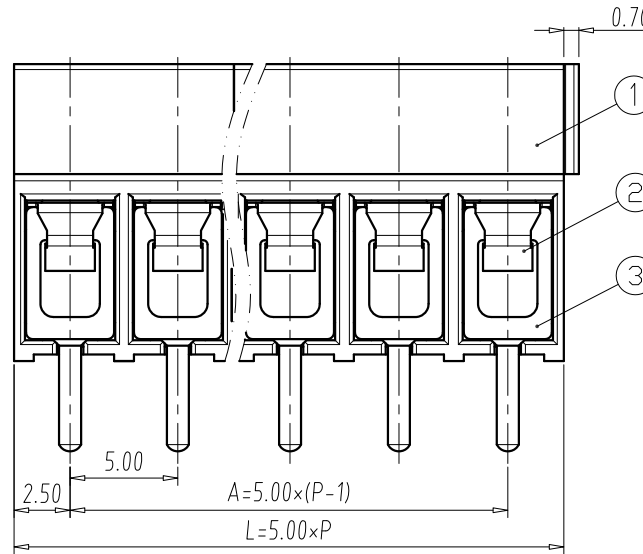
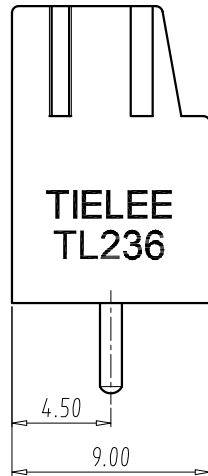


REV	E.C.N NO.	CONTENT	CHK	DATE
V1.0		ORIGINAL	YHZ	2024.07.13



NOTES:

- UL:  
Rating:300V, 20A;  
Insulation Withstands Voltage:AC1600V/MIN;  
Suitable Electric Wire: 20AWG~12AWG
- IEC:  
Rating:320V, 32A;  
Rate Impulse Voltage:4000V;  
Insulation Resistance:500M $\Omega$  or more at DC500V;  
Contact Resistance:  $\leq 5m\Omega$   
Material Group:I;  
Pollution Degree:2;  
Overvoltage Category:III;  
Suitable Electric Wire:0.5mm<sup>2</sup>~4.0mm<sup>2</sup>
- Using Temperature Range:-40 $^{\circ}$ C~+115 $^{\circ}$ C;
- Screw Torque Value:0.5N·m
- Strip length:6.5mm
- RoHS compliance;



DIM	P	02	03	04	05	06	07	08	09	10	11	12
A		5	10	15	20	25	30	35	40	45	50	55
L		10	15	20	25	30	35	40	45	50	55	60

DIM	P	13	14	15	16	17	18	19	20	21	22	23	24
A		60	65	70	75	80	85	90	95	100	105	110	115
L		65	70	75	80	85	90	95	100	105	110	115	120

Total Pitch Tolerances in mm																Nominal dimension range in mm															
over	over	over	over	over	over	over	over	over	over	over	over	over	over	over	over	over	over	over	over	over	over	over	over	over	over	over	over	over			
0	30	53	70	90	115	150	200	250	30	53	70	90	115	150	200	250	300	320	350	380	400	450	500	550	600	650	700	750			
±0.20	±0.25	±0.3	±0.35	±0.44	±0.55	±0.70	±0.85	±1.00	±0.25	±0.30	±0.35	±0.44	±0.55	±0.70	±0.80	±0.90	±1.20														

4	SCREW	P	STEEL	M3/Zn Plated
3	SOLDER PIN	P	Copper Alloy	Tin Plated
2	SPRING	P	STAINLESS	/
1	HOUSING	1	PA66	UL94 V-0
ITEM	NAME OF PART	Q'TY	MATERIAL	NOTE

DWG.	hyt	DATE	2020.08.18	UNITS	MM	SHEET/OF	1/1
CHK.		DATE		SCALE	3:1	A4	
APP.		DATE		<b>TIANLI</b> ELECTRICAL MACHINERY(NINGBO)CO.,LTD.			
				DWGNO.	TLDW-TL236VXXPXS		