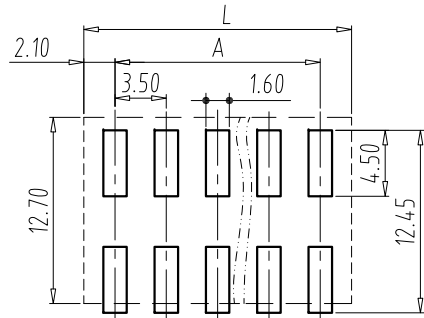
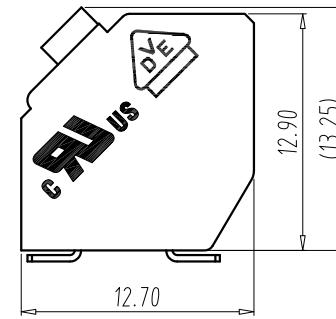
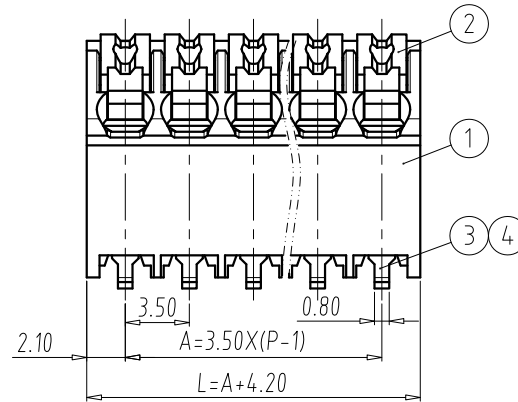
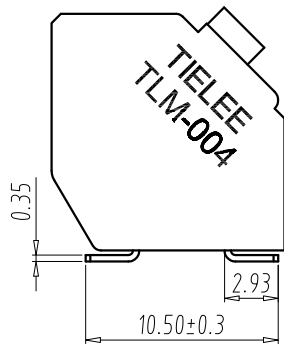
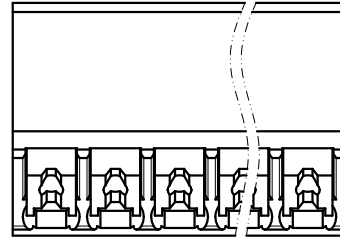


REV	E.C.N NO.	CONTENT	CHK	DATE
V0.1	S2309004	Add VDE and UL Logo	ZZW	2023.09.25



PCB LAYOUT  
S=2:1



NOTES:

- UL:
  - Rating:300V, 12A;
  - Insulation Withstands Voltage:AC1600V/MIN;
  - Suitable Electric Wire:28AWG~16AWG
  - Using Temperature Range:-40°C~+130°C;
- IEC:
  - Rating:160V, 17.5A;
  - Rate Impulse Voltage:2500V;
  - Insulation Resistance:500MΩ or more at DC500V;
  - Contact Resistance: ≤5mΩ
  - Material Group:IIIa;
  - Pollution Degree:2;
  - Overtoltage Category:III;
  - Suitable Electric Wire:0.2mm²~1.5mm²
  - Using Temperature Range:-40°C~+120°C;
- Strip length:8.0~9.0mm
- RoHS compliance;

DIM	P	2	3	4	5	6	7	8	9	10	11	12
L		7.7	11.2	14.7	18.2	21.7	25.2	28.7	32.2	35.7	39.2	42.7
A		3.5	7	10.5	14	17.5	21	24.5	28	31.5	35	38.5

DIM	P	13	14	15	16	17	18	19	20	21	22	23	24
L		46.2	49.7	53.2	56.7	60.2	63.7	67.2	70.7	74.2	77.7	81.2	84.7
A		4.2	4.55	4.9	5.25	5.6	5.95	6.3	6.65	7.0	7.35	7.7	8.05

Total Pitch Tolerances in mm																Nominal dimension range in mm																
over	over	over	over	over	over	over	over	over	over	over	over	over	over	over	over	over	over	over	over	over	over	over	over	over	over	over	over	over	over			
0	30	53	70	90	115	150	200	250	300	350	400	450	500	550	600	0	30	53	70	90	115	150	200	250	300	350	400	450	500	550		
to	to	to	to	to	to	to	to	to	to	to	to	to	to	to	to	to	to	to	to	to	to	to	to	to	to	to	to	to	to	to		
30	53	70	90	115	150	200	250	320	380	440	500	560	620	680	740	0	30	53	70	90	115	150	200	250	320	380	440	500	560	620		
±0.20	±0.25	±0.3	±0.35	±0.44	±0.55	±0.70	±0.85	±1.00	±0.25	±0.30	±0.35	±0.44	±0.55	±0.70	±0.80	±0.90	±1.20															

4	SOLDER PIN	P	H-Copper Alloy	Tin Plated
3	SPRING	P	Stainless	/
2	LEVER	P	PA-HT	UL94 V-0
1	HOUSING	1	PA-HT	UL94 V-0
ITEM	NAME OF PART	Q'TY	MATERIAL	NOTE

DWG.	YHZ	DATE	2022.05.28	UNITS	MM	SHEET/OF	1/1
CHK.		DATE		SCALE	2.5:1	A4	
APP.		DATE		NAME TLM-004AS-3.50-XXP(X)			
				ELECTRICAL MACHINERY(NINGBO)CO.,LTD.			
				DWGNO.	TLDW-TLM004AS3.50XXP(X)		