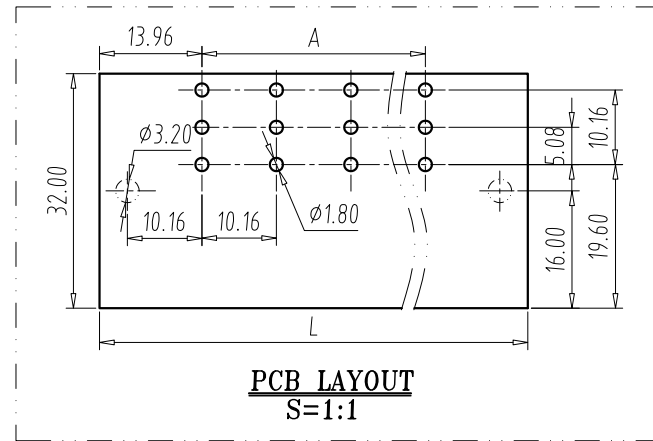
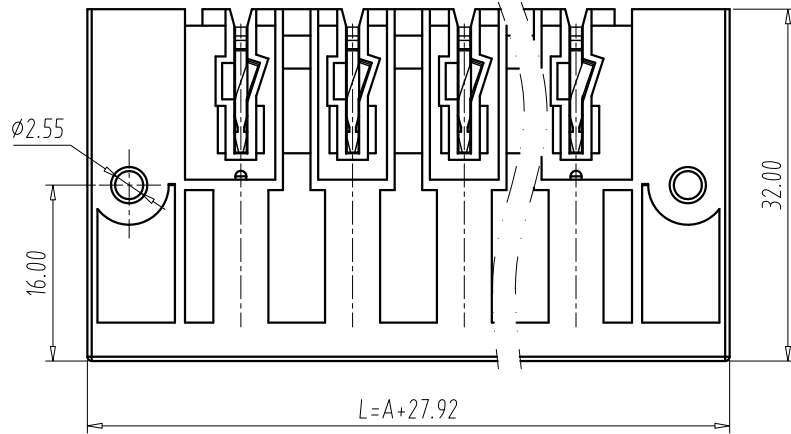


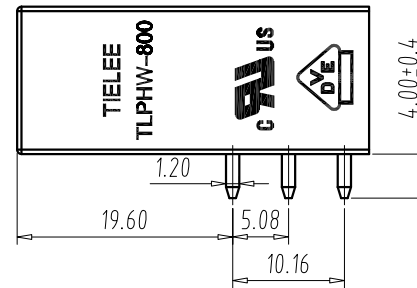
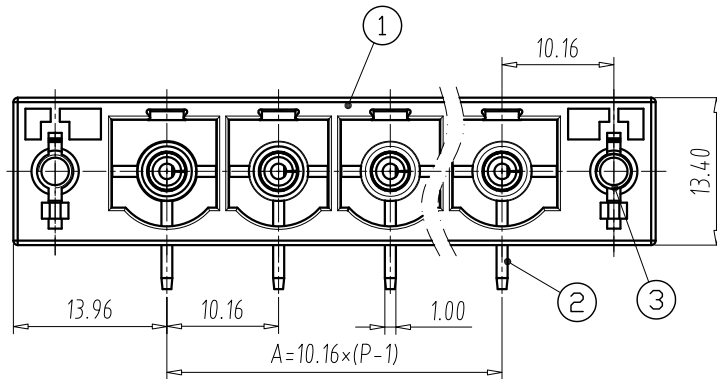
REV	E.C.N NO.	CONTENT	CHK	DATE
V0.1	S2308013	Add VDE logo,change the Plated	YJ	2023.08.26



PCB LAYOUT
S=1:1

NOTES:

- UL:
Rating:300V, 55A (B, C); 600V (D)
Insulation Withstands Voltage:AC2200V/1MIN;
- IEC:
Rating:1000V, 76A;
Rate Impulse Voltage:6000V;
Insulation Resistance:500MΩ or more at DC500V;
Contact Resistance: ≤5mΩ
Material Group: I ;
Pollution Degree:2;
Overvoltage Category: II ;
- Using Temperature Range:-40°C~+115°C;
- RoHS compliance;



DIM	P	02	03	04	05	06	07	08	09	10
L		38.08	48.24	58.4	68.56	78.72	88.88	99.04	109.2	119.36
A		10.16	20.32	30.48	40.64	50.8	60.96	71.12	81.28	91.44

Total Pitch Tolerances in mm																Nominal dimension range in mm															
over	over	over	over	over	over	over	over	over	over	over	over	over	over	over	over	over	over	over	over	over	over	over	over	over	over	over	over	over	over		
0	30	53	70	90	115	150	200	250	300	30	53	70	90	115	150	200	250	300	350	400	450	500	550	600	650	700	750	800	850		
±0.20	±0.25	±0.3	±0.35	±0.44	±0.55	±0.70	±0.85	±1.00	±0.25	±0.30	±0.35	±0.44	±0.55	±0.70	±0.80	±0.90	±1.20														

3	NUT	2	STEEL	Zn Plated
2	SOLDER PIN	P	COPPER ALLOY	Ag Plated
1	HOUSING	1	PA66	UL94 V-0
ITEM	NAME OF PART	Q'TY	MATERIAL	NOTE

DWG.	SK	DATE	2021.06.03	UNITS	MM	SHEET/OF	1/1
CHK.		DATE		SCALE	15:1	A4	
APP.		DATE		NAME	TLPHW-800R-XXP-X		
				DWGNO.	TLDW-TLPHW800RXXPX		

