

NOTES:

1. UL:

Rating:600V, 41A;  
 Insulation Withstands Voltage:AC4200V/1MIN;  
 Suitable Electric Wire:24AWG~8AWG  
 Using Temperature Range:-40°C~+115°C;

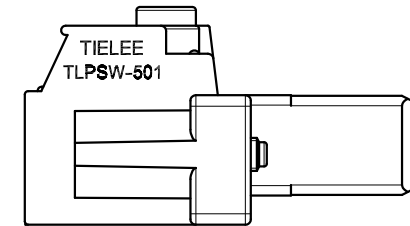
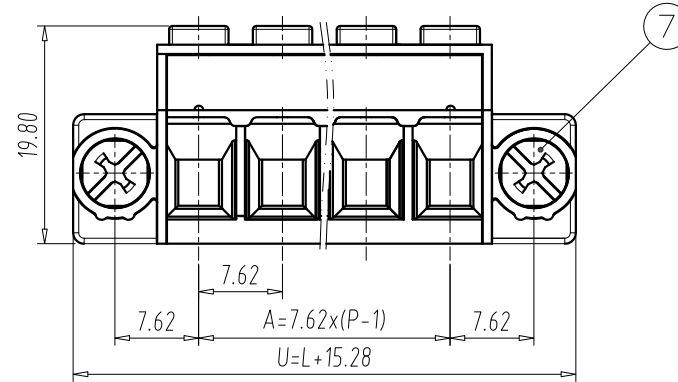
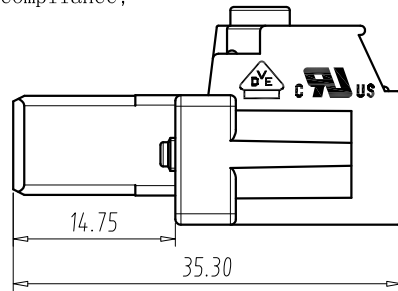
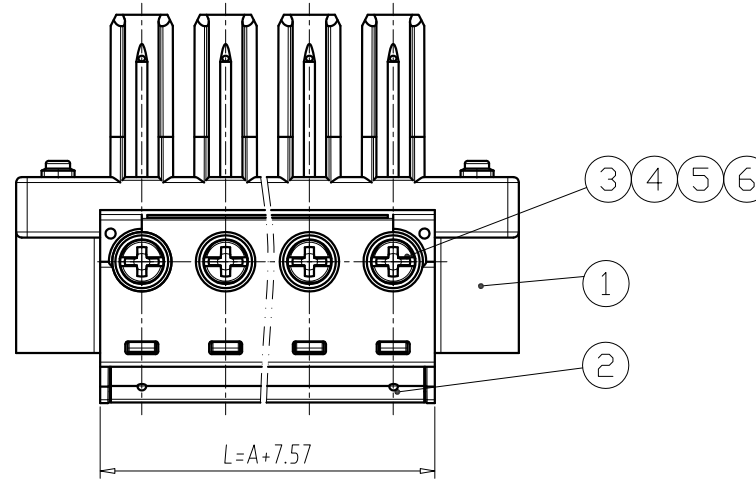
2. IEC:

Rating:1000V, 41A;  
 Rate Impulse Voltage:8000V;  
 Insulation Resistance:500MΩ or more at DC500V;  
 Contact Resistance: ≤5mΩ  
 Material Group: I ;  
 Pollution Degree:3;  
 Overvoltage Category:III;  
 Suitable Electric Wire:0.34mm<sup>2</sup>~6mm<sup>2</sup>  
 Using Temperature Range:-40°C~+120°C;

3. Screw Torque Value:0.8N·m

4. Strip length:10~11mm

5. RoHS compliance;



DIM	P	10	11	12	13	14
A		68.58	76.2	83.82	91.44	99.06
L		76.15	83.77	91.39	99.01	106.63
U		91.43	99.05	106.67	114.29	121.91

DIM	P	02	03	04	05	06	07	08	09
A		7.62	15.24	22.86	30.48	38.1	45.72	53.34	60.96
L		15.19	22.81	30.43	38.05	45.67	53.29	60.91	68.53
U		30.47	38.09	45.71	53.33	60.95	68.57	76.19	83.81

Total Pitch Tolerances in mm										Nominal dimension range in mm									
over	over	over	over	over	over	over	over	over	over	over	over	over	over	over	over	over	over	over	over
0	30	53	70	90	115	150	200	250	300	0	30	53	70	90	115	150	200	250	320
to	to	to	to	to	to	to	to	to	to	to	to	to	to	to	to	to	to	to	to
30	53	70	90	115	150	200	250	300	320	30	53	70	90	115	150	200	250	320	
±0.20	±0.25	±0.3	±0.35	±0.44	±0.55	±0.70	±0.85	±1.00	±1.20	±0.25	±0.30	±0.35	±0.44	±0.55	±0.70	±0.80	±0.90	±1.20	

7	SCREW 2	2	STEEL	M3/Zn Plated
6	SPRING	P	STAINLESS	/
5	CLAMP	P	COPPER ALLOY	Tin Plated
4	BLOCK	P	COPPER ALLOY	Ni Plated
3	SCREW 1	P	STEEL	M3/Zn Plated
2	COVER	1	PA66	V0
1	HOUSING	1	PA66	V0
ITEM	NAME OF PART	Q'TY	MATERIAL	NOTE

DWG.	SK	DATE	2021.10.26	UNITS	MM	SHEET/OF	1/1
CHK.		DATE		SCALE	15:1	A4	
APP.		DATE		NAME TLPSW-501-XXP-XC			
				TIANLI ELECTRICAL MACHINERY(NINGBO)CO.,LTD.			
				DWGNO.	TL-02-TLPSW501XXPXC		